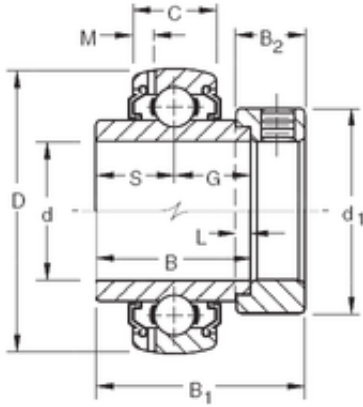




BEARING INDIA PRIVATE LTD.

31.75 mm x 72 mm x 37,7 mm Timken G1104KLLB Ball Insert Bearings



Bearing No. G1104KLLB

Size	31.75x72x37.7 mm
Bore Diameter	31.75 mm
Outer Diameter	72 mm
Width	37,7 mm
d	31.75 mm
D	72 mm
B	37,7 mm
C	19 mm
d1	54 mm
B1	51,2 mm
B2	17,46 mm
G	18,85 mm
L	4 mm
M	3,43 mm
S	18,85 mm
Weight	0,649 Kg
Basic dynamic load rating (C)	28,5 kN

G1104KLLB Bearing 2D drawings and 3D CAD models